

## SURFACE MOUNT SWITCHING DIODES

**VOLTAGE** 100 Volts **POWER** 410 - 500 mW

### FEATURES

- Fast switching Speed
- Electrically Identical to Standard JEDEC
- High Conductance
- Surface Mount Package Ideally Suited for Automatic Insertion
- Flat package SOD-123 in stead mini-MELF package.

### MECHANICAL DATA

Case: SOD-123, Plastic

Terminals: Solderable per MIL-STD-202, Method 208

Approx. Weight:0.01 gram



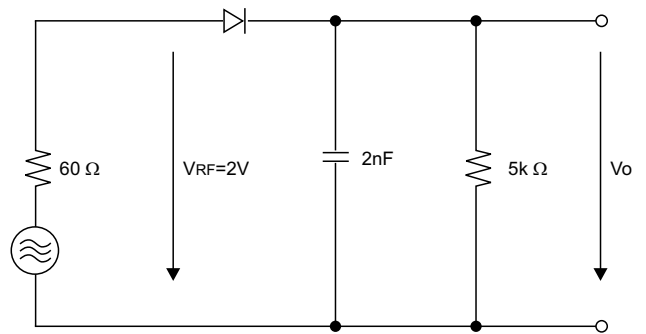
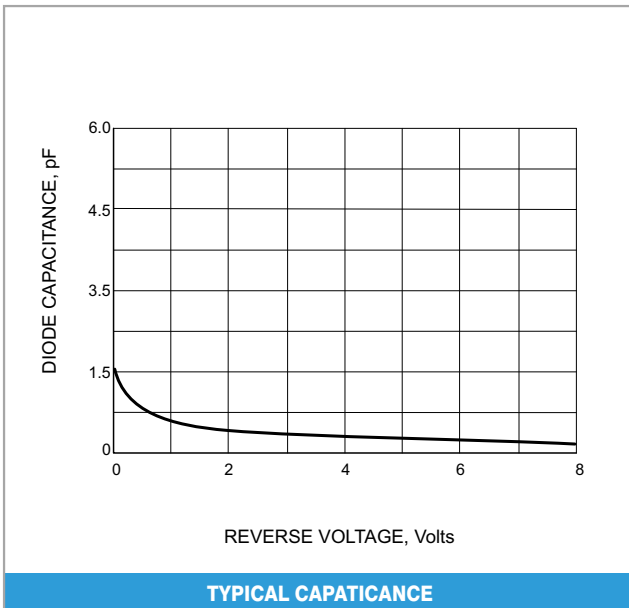
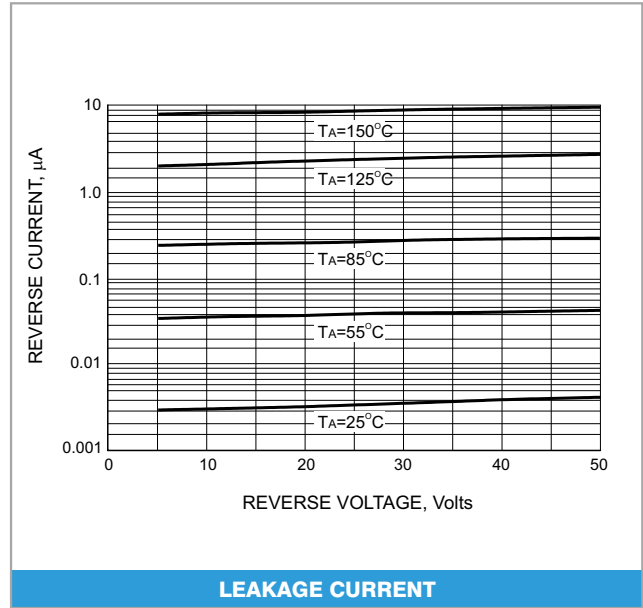
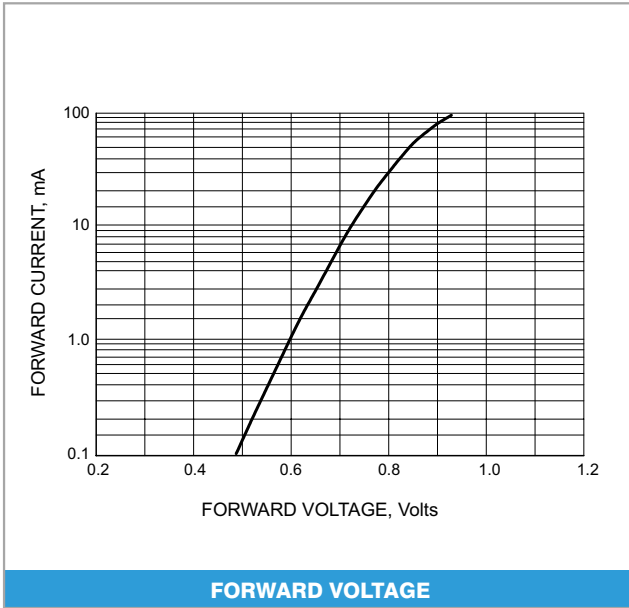
### MAXIMUM RATINGS AND ELECTRICAL CHARACTERISTICS

PARAMETER	SYMBOL	1N4148W	1N4448W	UNITS
Reverse Voltage	$V_R$	75	75	V
Peak Reverse Voltage	$V_{RM}$	100	100	V
Maximum RMS Voltage	$V_{RMS}$	50	50	V
Maximum DC Blocking Voltage	$V_{DC}$	75	75	V
Maximum Average Forward Current at $T_a=25^{\circ}C$	$I_{AV}$	150	150	mA
Peak Forward Surge Current, 8.3ms single half sine-wave superimposed on rated load (JEDEC method)	$I_{FSM}$	2.0	4.0	A
Power Dissipation Derate Above $25^{\circ}C$	$P_{TOT}$	410	500	mW
Maximum Forward Voltage @ $I_F=10\text{ mA}$ @ $I_F=5\text{ mA}$	$V_F$	1.0 -	1.0 0.72	V
Maximum DC Reverse Current at Rated DC Blocking Voltage $T_J= 25^{\circ}C$	$I_R$	2.5	2.5	$\mu A$
Typical Junction Capacitance( Notes1)	$C_J$	4.0	4.0	pF
Maximum Reverse Recovery (Notes2)	$T_{RR}$	4.0	4.0	ns
Maximum Thermal Resistance	$R_{\theta JA}$	450	450	$^{\circ}C / W$
Storage Temperature Range	$T_J$	-55 TO +125		$^{\circ}C$

**NOTE:**

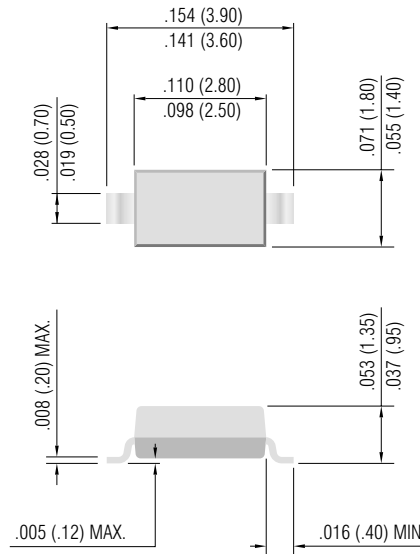
1.  $C_J$  at  $V_R=0$ ,  $f=1\text{MHZ}$

2. From  $I_F=10\text{mA}$  to  $I_R=1\text{mA}$ ,  $V_R=6\text{Volts}$ ,  $R_L=100\Omega$



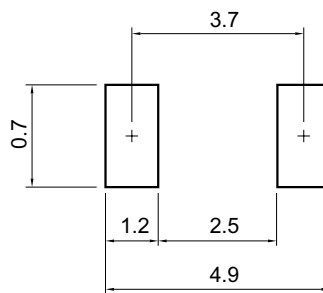
**RECTIFICATION EFFCIENCY MEASUREMENT CIRCUIT**

SOD-123



Dimensions in inches and (millimeters)

**Suggested Mounting Pad Layout**



Dimensions in (millimeters)

© Copyright Panjit International Inc. 2001

All rights are reserved. Reproduction in whole or in part is prohibited without the prior written consent of the copyright owner.

The information presented in this document does not form part of any quotation or contract, is believed to be accurate and reliable and may be changed without notice. No liability will be accepted by the publisher for any consequence of its use.

Publication thereof does not convey nor imply any license under patent or other industrial or intellectual property rights.

**PanJit International Inc.**

TEL:886-7-6213121 Fax:886-7-6213129 Internet: <http://www.panjit.com.tw> email: [sales@panjit.com.tw](mailto:sales@panjit.com.tw)